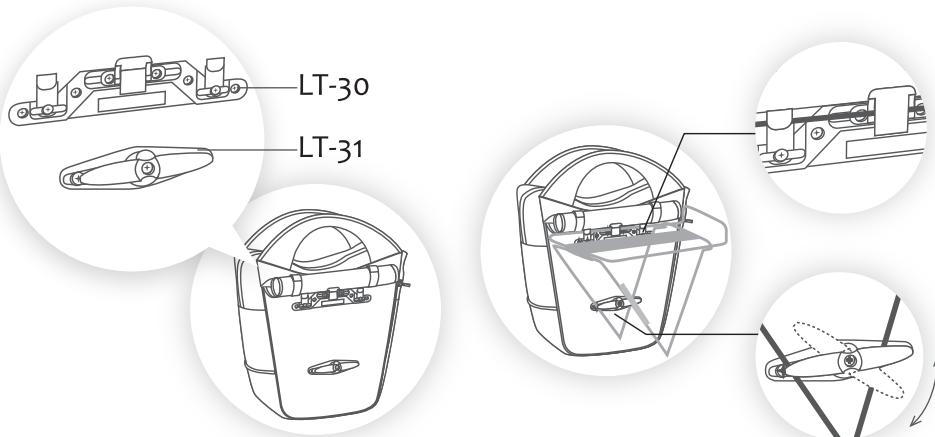




# LT-30/ LT-31 Quick Release Buckle



www.lotus-bag.com



Copyright © 2013 SHINE-HO KNAPSACK & BAG MFG. CO., LTD. All rights reserved.

## Process)

Attach the bag to the rack:

- Hang the bag on the top edge of the rack and secure it with the QR clip.
- Push the bag against the rack's side frame and then turn the swivel clamp to lock it in position.

Can not be used under temperature of  $-4^{\circ}\text{f} / -20^{\circ}\text{c}$



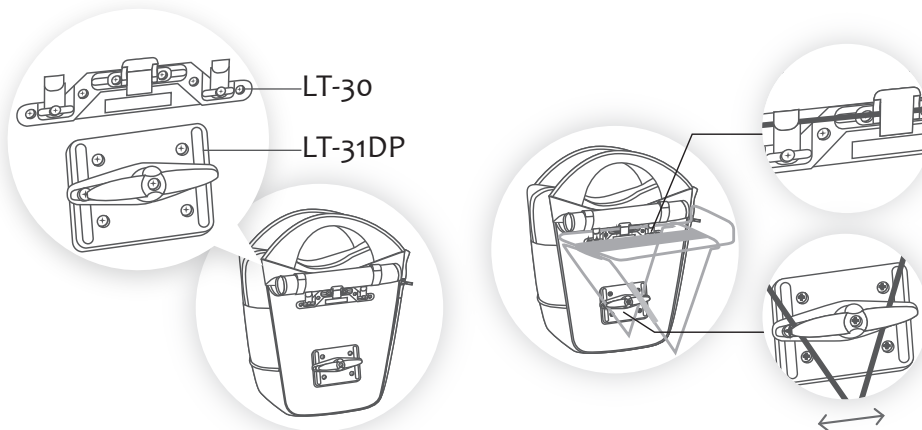
EN ver. 2.0 2013/7/16  
MADE IN TAIWAN



# LT-30/ LT-31DP Quick Release Buckle



www.lotus-bag.com



## Process)

Attach the bag to the rack:

- Hang the bag on the top edge of the rack and secure it with the QR clip.
- With the QR swivel clamp in the vertical position, loosen the screws on the back plate until the clamp can slide up and down and from side to side. Avoid loosening the screws more than is necessary.
- Turn the clamp to the horizontal position and then adjust its position until it overlaps the side frame of rack, as illustrated.
- Return the clamp to the vertical position and retighten the screws.
- Push the bag against the rack's side frame and then turn the swivel clamp to lock it in position.

Copyright © 2010 SHINE-HO KNAPSACK & BAG MFG. CO., LTD. All rights reserved.

EN ver. 2.0 2021/4/08  
MADE IN TAIWAN