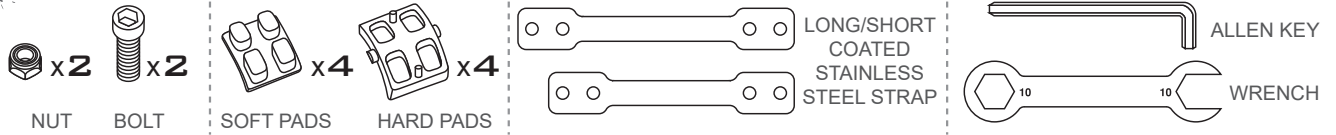


LT-88-A2 Quick Release Buckle

LOTUS

TW PAT. M298560 / DE PAT. NR.202006015524.4 / FR PAT. 06 55243

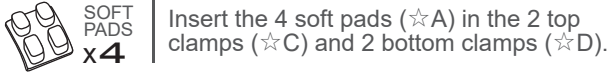
www.lotus-bag.com



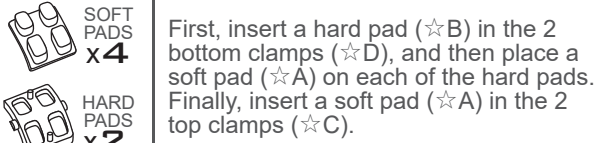
Instructions

Step 1

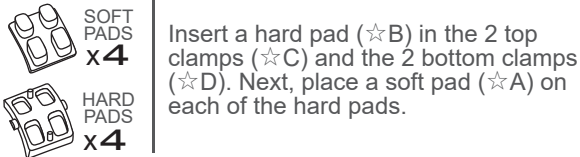
$\varnothing 31.8\text{mm}$



$\varnothing 28.6\text{mm}$



$\varnothing 22.2\text{mm} \sim 26.0\text{mm}$



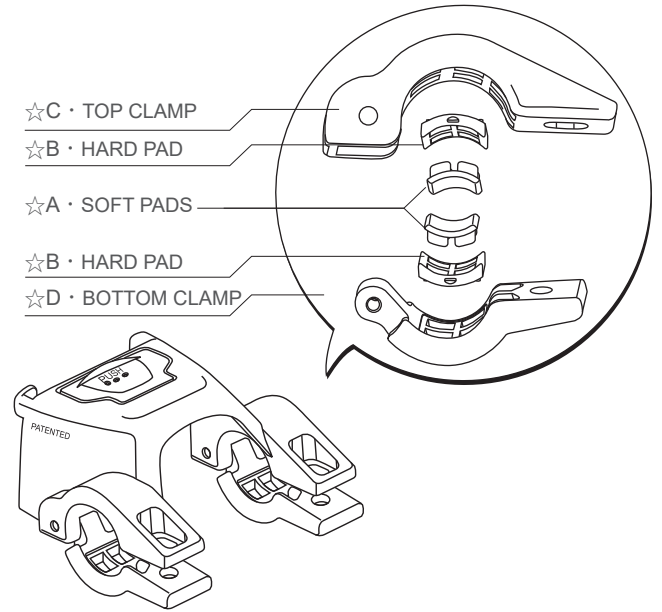
☆C · TOP CLAMP

☆B · HARD PAD

☆A · SOFT PADS

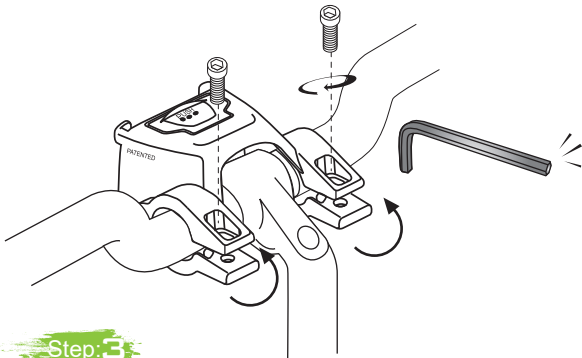
☆B · HARD PAD

☆D · BOTTOM CLAMP



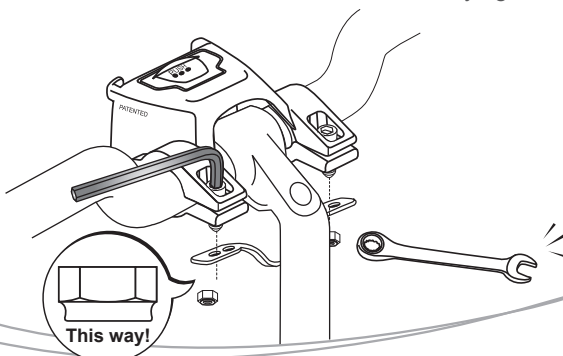
Step 2

- Open the 2 clamps and place the bracket on the middle of the handlebar. Insert the bolts into the clamps and tighten them with the Allen key. Please note, the bolts should be sufficiently tight.



Step 3

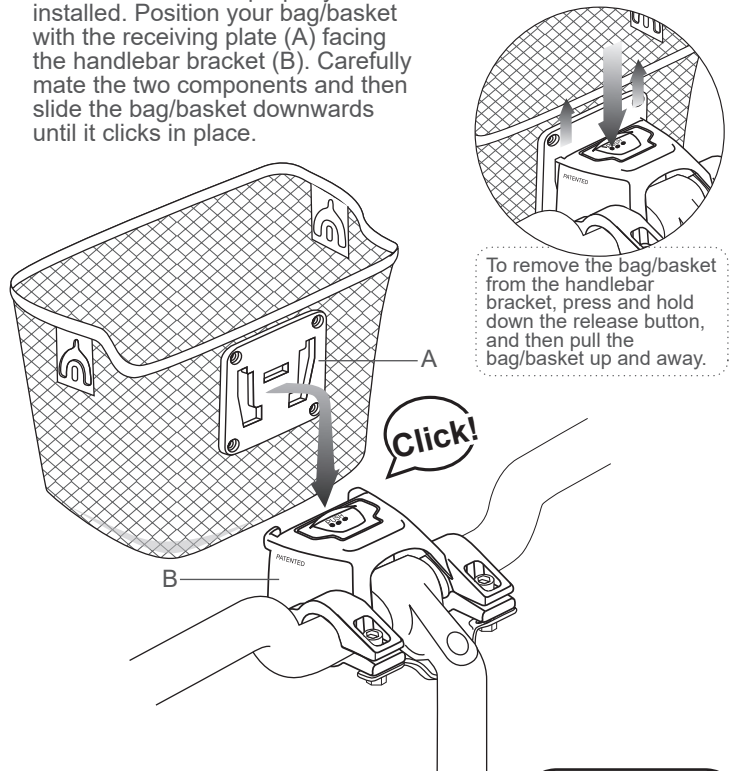
- Select a coated stainless steel strap (you only need to use one strap - choose the length that best fits your handlebar stem), and place it on the bolts under the bottom clamps.
- Put the nuts on the bolts and tighten them with the wrench, using the Allen key to hold the bolts. Please note, the nuts should be sufficiently tight.



This way!

Step 4

- Your bracket is now properly installed. Position your bag/basket with the receiving plate (A) facing the handlebar bracket (B). Carefully mate the two components and then slide the bag/basket downwards until it clicks in place.



To remove the bag/basket from the handlebar bracket, press and hold down the release button, and then pull the bag/basket up and away.

Can not be used under temperature of $-4^{\circ}\text{F} / -20^{\circ}\text{C}$

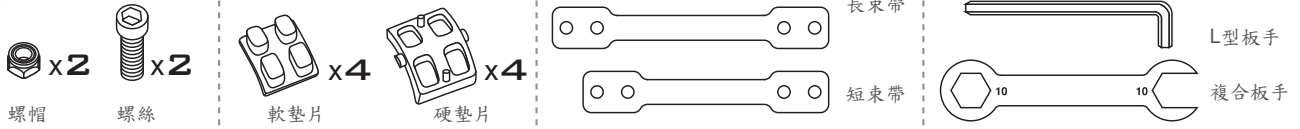
EN ver. 3.0 2013/4/9
MADE IN TAIWAN

LT-88-A2 Quick Release Buckle

專利號碼：台灣(新型M298560) / 德國(NR.202006015524.4) / 法國(06 55243)

LOTUS

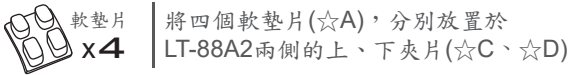
www.lotus-bag.com



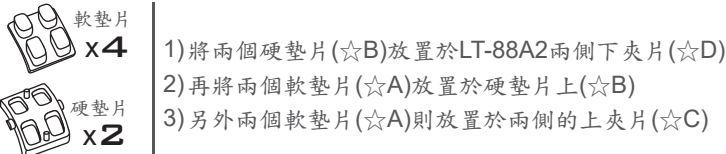
安裝說明

Step. 1

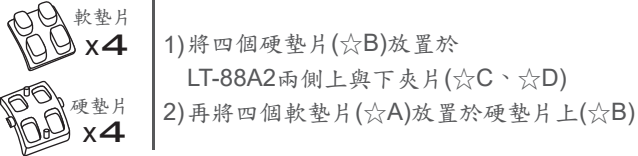
$\varnothing 31.8\text{mm}$



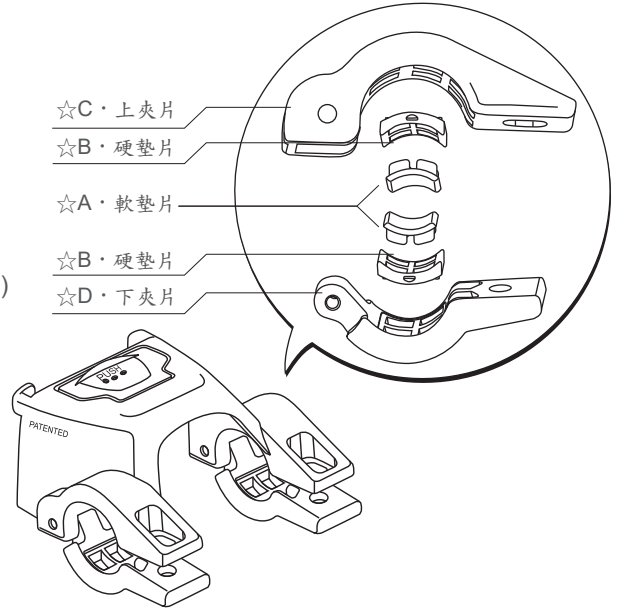
$\varnothing 28.6\text{mm}$



$\varnothing 22.2\text{mm} \sim 26.0\text{mm}$

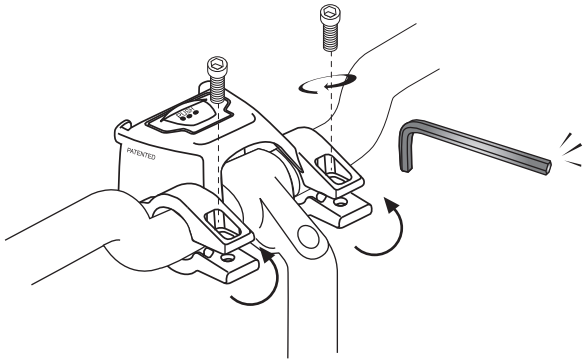


☆C · 上夾片
☆B · 硬墊片
☆A · 軟墊片
☆B · 硬墊片
☆D · 下夾片



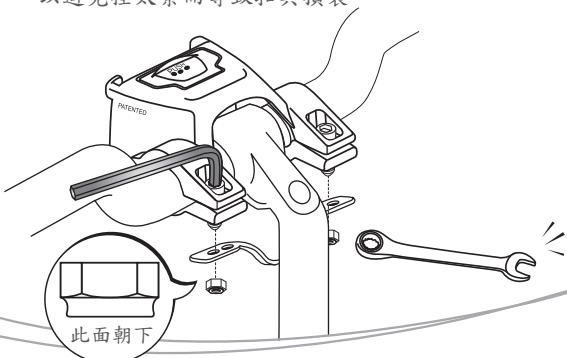
Step. 2

- 1) 將扣具兩端環繞於手把並相互對齊，再將螺絲運用L型版手陸續對準穿孔進行拴緊



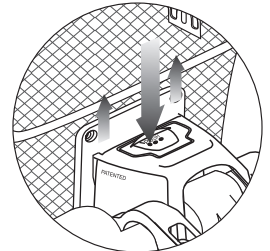
Step. 3

- 1) 一手將L型扳手固定於螺絲頭上(防螺帽拴緊時轉動)
- 2) 從長、短束帶中選擇合適的束帶，將螺帽運用複合扳手由下往上拴緊(螺帽尾端有一安全膠圈，需朝下再進行拴緊)
- 3) 請注意，拴緊螺帽時僅需以適當力道拴緊即可，以避免拴太緊而導致扣具損裂

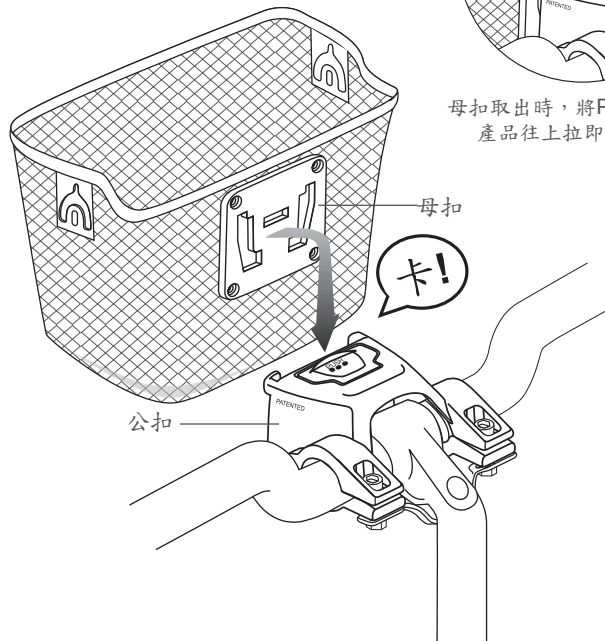


Step. 4

- 1) 將母扣凹槽對準公扣突起的結構，輕輕往下扣，即有『卡!』的一聲!



母扣取出時，將PUSH鍵按下，產品往上拉即可順利取下



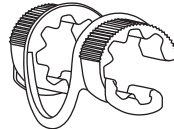
CH ver. 2.0 2010/12/13
MADE IN TAIWAN

扣具使用溫度規範
不得低於 -20°C

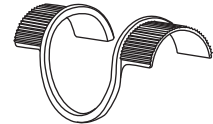
LT-98 Quick Release Buckle



ø22.2mm~28.6mm
SECURE BRACKET



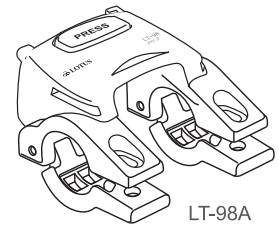
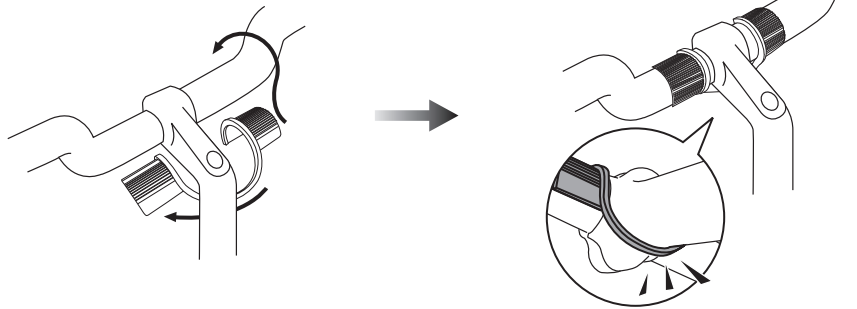
=ø31.8mm
SECURE BRACKET



Instructions

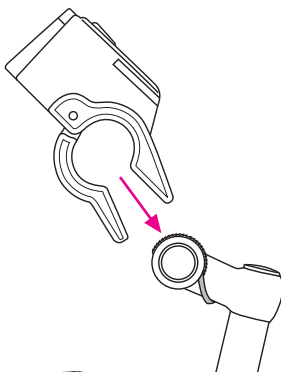
Step: 1

- Place the secure bracket to handlebar under the stem. Please note that the plastic line of secure bracket must be against the stem as illustrated.



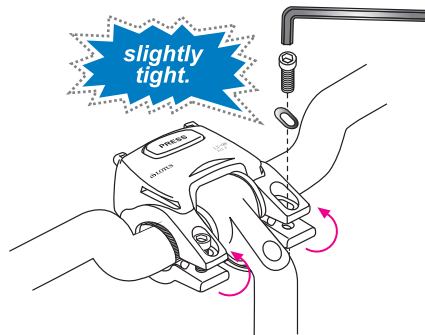
Step: 2

- Install the LT-98A QR buckle to handlebar in about 45 degree.



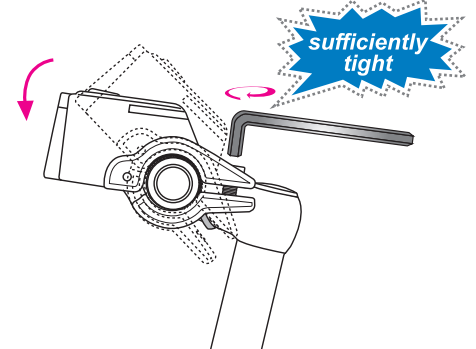
Step: 3

- Close the clamps, and then place the washers on the holes.
- Use the Allen key to screw the bolts to slightly tight.



Step: 4

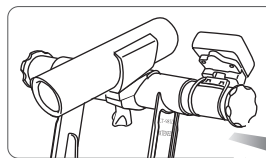
- Push the LT-98A QR buckle down to the desire position.
- Use the Allen key again to screw the bolts to sufficiently tight as illustrated.



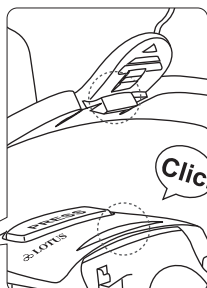
Step: 5

LT-98LS is an optional item.

TAIWAN PAT. M351827 / CHINA PATENT. 200820153651.4



LT-98LS is an extension that allows more accessories to be fitted when using the LT-98A bracket.



Slide the light stand into the LT-98A bracket until it clicks in place, as illustrated.

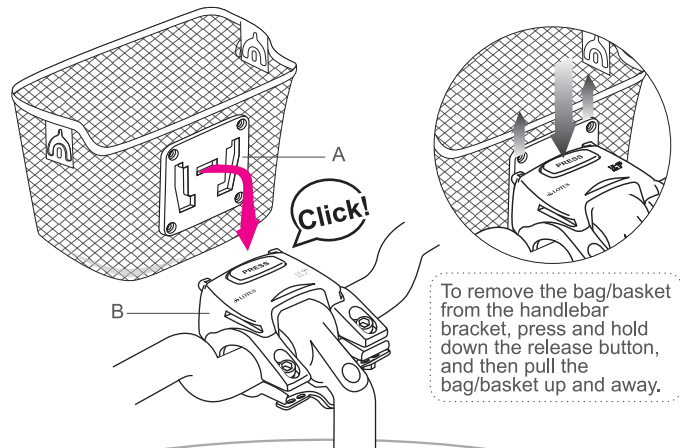
To remove the light stand, pull the tab upwards and slide the fitting out of the LT-98A bracket.

Light Stand (LT-98LS)

LT-98A

Step: 6

- Your bracket is now properly installed. Position your bag/basket with the receiving plate (A) facing the handlebar bracket (B). Carefully mate the two components and then slide the bag/basket downwards until it clicks in place.



EN ver. 9.0 2013/2/19
MADE IN TAIWAN

Warning:
Do not load more than 6kg into handlebar bag or basket, as this can affect steering.
Ensure all brake and gear cables functions correctly after fitting.

Can not be used under temperature of
-4°F / -20°C

ML-138 Quick Release Buckle



BOLT

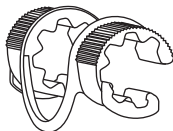


3M STICKER

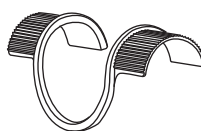


ALLEN KEY

∅22.2mm~25.4mm
SECURE BRACKET



>∅25.4mm~∅31.8mm
SECURE BRACKET

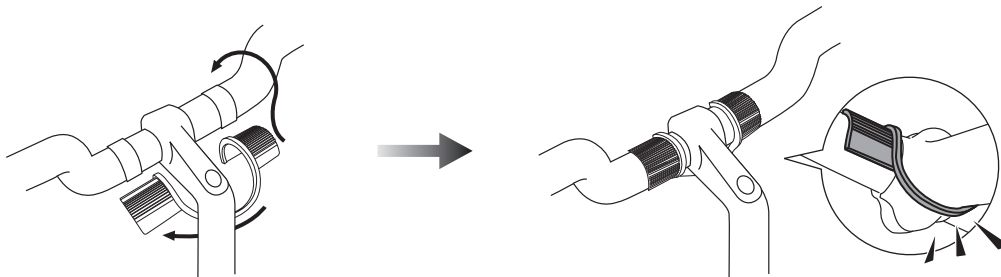


ML-138M

Instructions

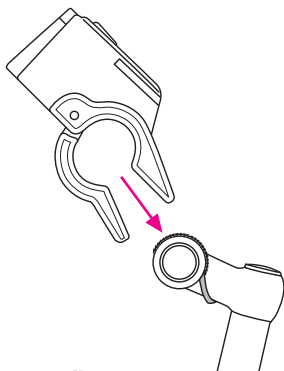
Step: 1

Place the 3M sticker, then place the secure bracket to handlebar under the stem. Please note that the plastic line of secure bracket must be against the stem as illustrated.



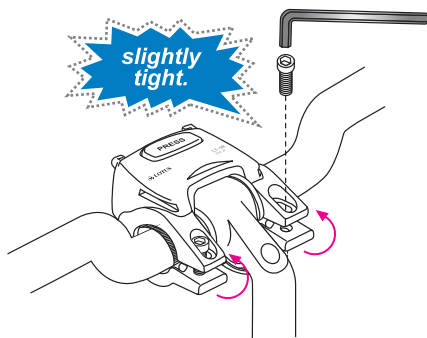
Step: 2

Install the ML-138M QR buckle to handlebar in about 45 degree.



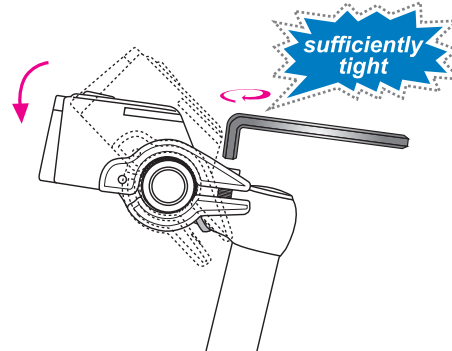
Step: 3

Close the clamps, and then use the allen key to screw the bolts to slightly tight.



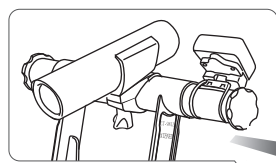
Step: 4

Push the ML-138M QR buckle down to the desire position. Use the Allen key again to screw the bolts to sufficiently tight as illustrated.



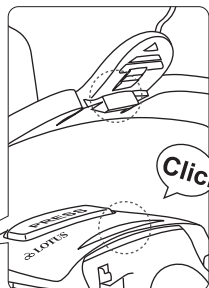
Step: 5

LT-98LS is an optional item.



LT-98LS is an extension that allows more accessories to be fitted when using the ML-138M bracket.

Light Stand (LT-98LS)



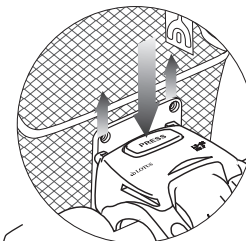
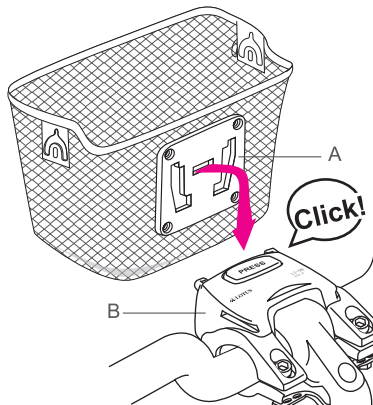
Slide the light stand into the ML-138M bracket until it clicks in place, as illustrated.

To remove the light stand, pull the tab upwards and slide the fitting out of the ML-138M bracket.

ML-138M

Step: 6

Your bracket is now properly installed. Position your bag/basket with the receiving plate (A) facing the handlebar bracket (B). Carefully mate the two components and then slide the bag/basket downwards until it clicks in place.



To remove the bag/basket from the handlebar bracket, press and hold down the release button, and then pull the bag/basket up and away.

Warning:

Do not load more than 6kg into handlebar bag or basket, as this can affect steering. Ensure all brake and gear cables functions correctly after fitting.

Can not be used under temperature of -4°f / -20°c