

# LT-25 / LT-29 Quick Release Buckle

 **LOTUS**

www.lotus-bag.com

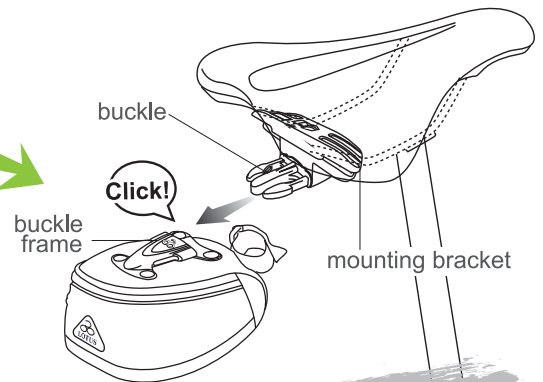
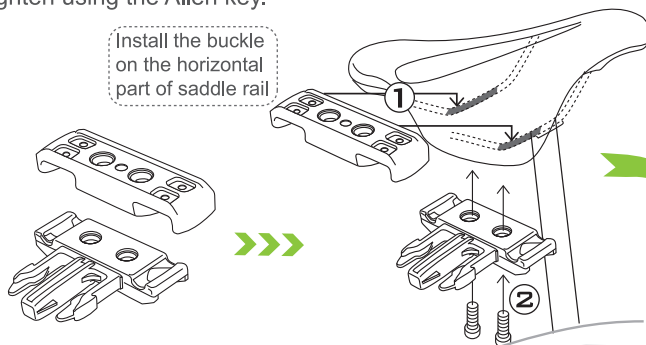
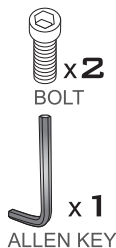
## Instructions

1 · Place the two parts of the mounting bracket on the saddle rail, as illustrated. Insert the bolt(s) and tighten using the Allen key.

2 · Simply push the saddle bag buckle frame onto the buckle until it clicks into place.

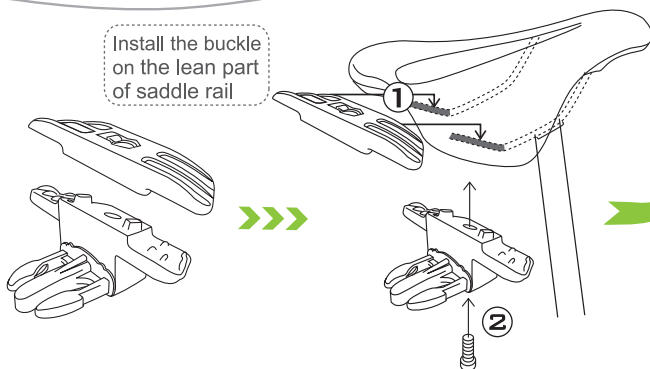
**LT-25**

Install the buckle on the horizontal part of saddle rail



**LT-29**

Install the buckle on the lean part of saddle rail



3 · To remove the saddle bag, squeeze the two sides of the buckle and pull the bag off.

Can not be used under temperature of  $-4^{\circ}\text{f} / -20^{\circ}\text{c}$



EN ver. 3.0 2013/7/16  
MADE IN TAIWAN