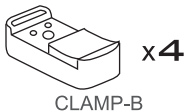


# LT-40A/40B Quick Release Buckle

LOTUS

www.lotus-bag.com



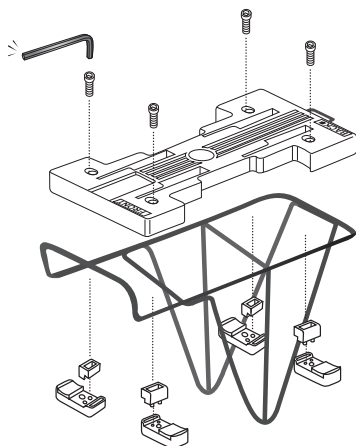
## Instructions

- Place the adapter (LT-40B) on the rack. The front and back of the adapter is labelled for correct alignment.

### A. Rack without a top plate



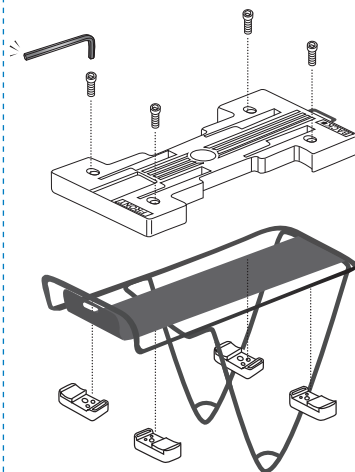
- Fit a Clamp-A component to each of the four Clamp-B components, as illustrated.



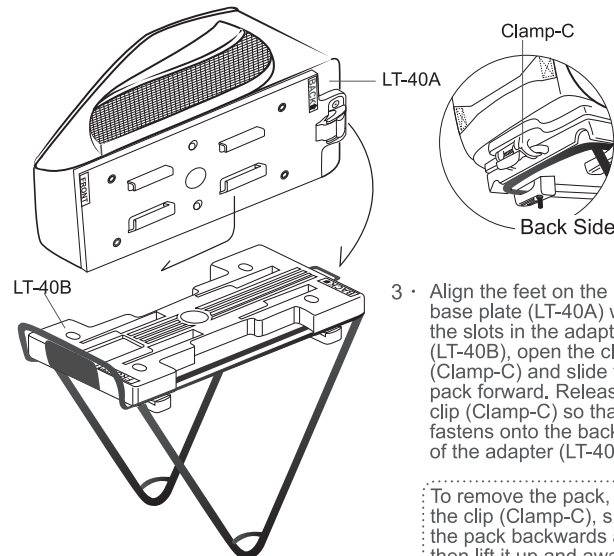
### B. Rack with a top plate



- Use the four Clamp-B components without fitting a Clamp-A component.



- Insert the four bolts into the holes in the top of the adapter (LT-40B) and screw them into the clamps (Clamp-B) on the underside of the adapter, as illustrated. Make sure the bolts are sufficiently tight to clamp the adapter securely to the rack.



- Align the feet on the pack's base plate (LT-40A) with the slots in the adapter (LT-40B), open the clip (Clamp-C) and slide the pack forward. Release the clip (Clamp-C) so that it fastens onto the back edge of the adapter (LT-40B).

Can not be used under temperature of  $-4^{\circ}\text{f} / -20^{\circ}\text{c}$

EN ver. 2.0 2013/7/16  
MADE IN TAIWAN